

## Simplicity Bubblers

### Chilled Beverage Dispensers 1x18 L, agitator model with locking lid

ITEM # \_\_\_\_\_

MODEL # \_\_\_\_\_

NAME # \_\_\_\_\_

SIS # \_\_\_\_\_

AIA # \_\_\_\_\_



CCCRKV (ECSID22)

Chilled Beverage Dispenser with 1x18 liter bowl with agitator and locking lid, R290

### Short Form Specification

Item No. \_\_\_\_\_

Chilled beverage dispenser, 1x18lt, with agitation function for fresh juices, coffees, or teas with minimal foaming system. 18lt easy-clean bowl with 23cm cup clearance. Easy-off bowl release system for faster and easier assembly and disassembly. Bowls with locking lid for added safety against tampering.

Temperature range from 1.7 - 5° C. Pre-mix dispenser with stainless steel base and clear plastic bowls. Compact size of 27 cm.

### Main Features

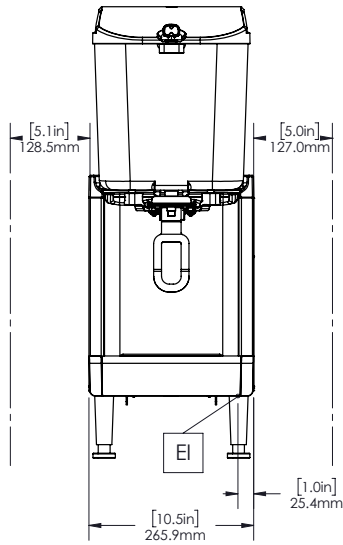
- Agitation function for fresh juices, coffees, or teas with minimal foaming system.
- Easy-off bowl release system for faster and easier assembly and disassembly.
- User friendly design enables machine to dispense product till the very last drop.
- Dispense 18 L in easy-clean bowl with 23 cm cup clearance.

### Construction

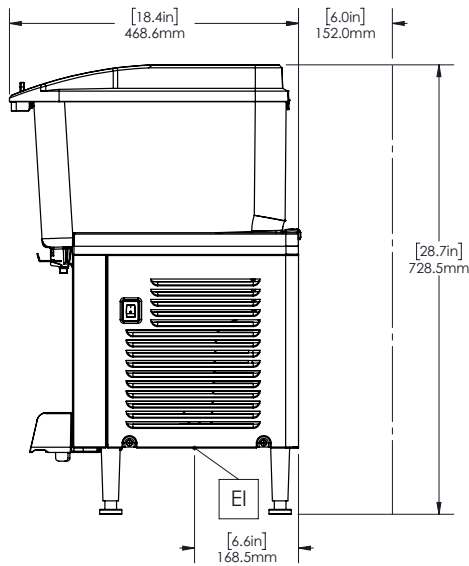
- Pre-mix dispenser with stainless steel base and clear plastic bowls.
- Compact size of 27 cm wide saves valuable counter space.
- Fewer removable parts to simplify cleaning and reduce maintenance.
- Temperature range from 1.7 - 5° C.
- The air intakes from the bottom and exhaust to back.
- Locking lid for added safety against tampering.
- Refrigerant type: R290.

APPROVAL: \_\_\_\_\_

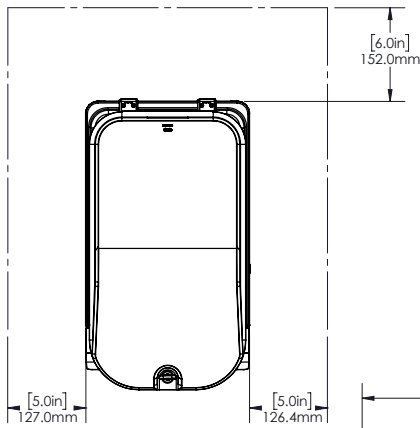
Front



Side



Top



#### Electric

Supply voltage:

CCCRV (ECS1D22)

220-240 V/1N ph/50/60 Hz

Electrical power max.:

0.4 kW

#### Key Information:

External dimensions, Width:	267 mm
External dimensions, Depth:	451 mm
External dimensions, Height:	729 mm
Net weight:	20 kg
Shipping weight:	24 kg
Shipping height:	528 mm
Shipping width:	381 mm
Shipping depth:	480 mm

#### Sustainability

Refrigerant type:	R290
Refrigerant weight:	50 g